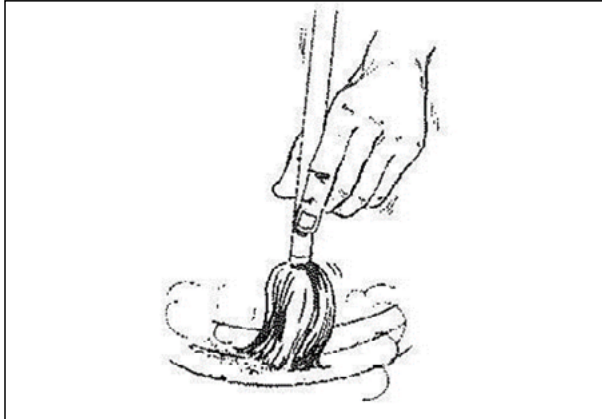


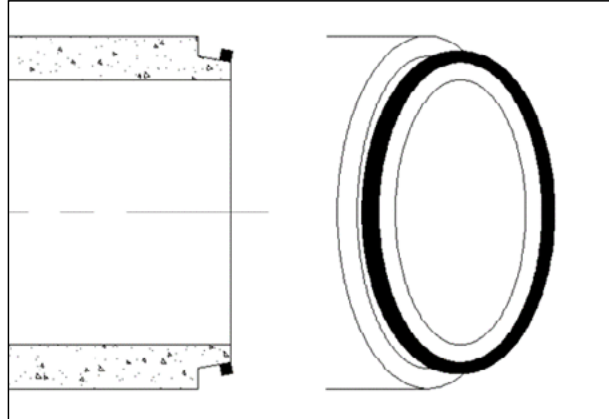


CONSEAL™
CONCRETE SEALANTS INC.

INSTALLATION INSTRUCTIONS CONCRETE PIPE



CLEAN THE CONCRETE JOINT SURFACES BY BRUSHING OFF ALL LOOSE CONCRETE, DUST, AND DIRT.



APPLY CONSEAL ALL AROUND THE OUTSIDE TIP OF THE SPIGOT. PRESS INTO PLACE.

SURFACE PREPARATION

THE FOLLOWING PROCEDURES SHOULD BE FOLLOWED FOR OPTIMUM SEALANT PERFORMANCE.

1. Clean the upper and lower joint surface with a stiff bristle brush.
2. Remove any dirt, debris, flashing, or concrete high points, which could keep the joint from coming together.
If necessary, a joint primer (i.e. CS-50 or CS-75) can be applied to improve sealant adhesion.

When using a primer, allow the primer to dry before placing sealant. The primer will normally be dry to the touch (CS-50) or tacky (CS-75) within 15-20 minutes.

(Note: CS-50 primer can be applied at the job site or at the plant several days in advance of the set.)

APPLICATION METHOD

1. Place sealant on the tip of the spigot in the correct location (see image above).
2. Join the sealant into one continuous strand by kneading the ends together where they meet.
IMPORTANT: DO NOT STRETCH THE SEALANT. DO NOT OVERLAP THE SEALANT.
3. Once the sealant is installed, **DO NOT:**
 - *Step on the sealant*
 - *Allow dirt or debris to fall on the sealant**(Note: Plastic sheeting may be installed over the sealant if necessary.)*
4. A minimum compression of 50% is required. Greater than 50% compression is optimal. It may take 15-20 minutes for the sealant to fully compress. This will vary according to the ambient temperature and the weight being applied.

DISCLAIMER: This publication is to assist users to understand the proper use of ConSeal's products. Contact ConSeal's technical staff for installation instructions that meet your specific requirement. Concrete Sealants, Inc. does not warranty any improper use of its products.