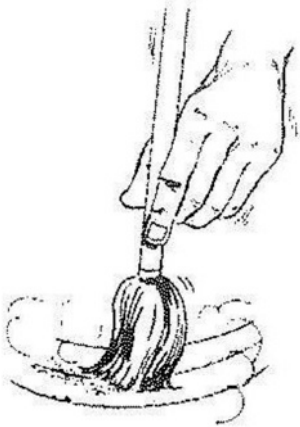
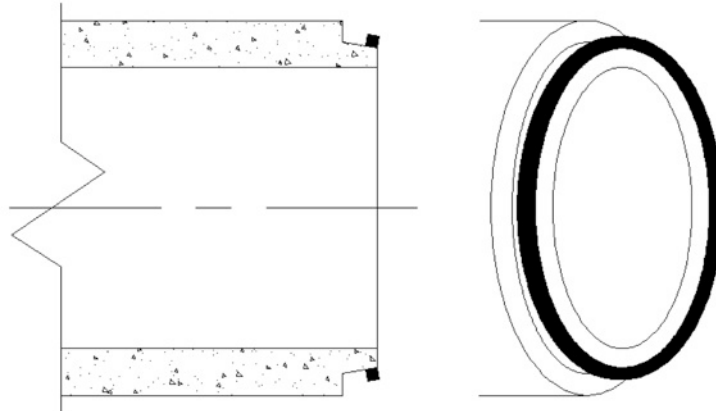


Installation Instructions

Reinforced Concrete Pipe



Clean the concrete joint surfaces by brushing off all loose concrete, dust, and dirt.



Apply ConSeal all around the outside tip of the spigot. Press into place.

The following procedures should be followed for optimum sealant performance.

- Clean the bell and spigot joint surfaces with a stiff bristle brush.
- Remove any dirt, debris, flashing, or concrete high points, which could keep the joint from coming together.
- If necessary, a joint primer (i.e. CS-50 or CS-75) can be applied to improve sealant adhesion.
- When using a primer, allow the primer to dry before placing sealant. The primer will normally be dry within 15-20 minutes. CS-50 will be dull black, but not tacky. CS-75 will be orange and tacky.
Note: CS-50 primer can be applied at the plant several days in advance of the set. CS-75 must be applied the day of the installation.
- Place sealant on the tip of the spigot in the correct location (see image above).
- Join the sealant into one continuous strand by kneading the ends together where they meet.
DO NOT STRETCH THE SEALANT. DO NOT OVERLAP THE SEALANT.
- Once the sealant is installed, do not:
 - Step on the sealant
 - Allow dirt or debris to fall on the sealant
- A **minimum** compression of 50% is required. Greater than 50% compression is optimal. This will vary according to the ambient temperature and the weight being applied.

Disclaimer: This publication is to assist users to understand the proper use of ConSeal's products. *Contact ConSeal's technical staff for installation instructions that meet your specific requirement.* Concrete Sealants, Inc. does not warranty any improper use of its products.

Don't Just Seal It, ConSeal It!

© 2013 Concrete Sealants, Inc.

Concrete Sealants, Inc. 9325 State Route 201 ■ Tipp City, OH 45371 ■ Toll Free 800.332.7325

P. 937.845.8776 **F.** 937.845.3587 ■ www.conseal.com

